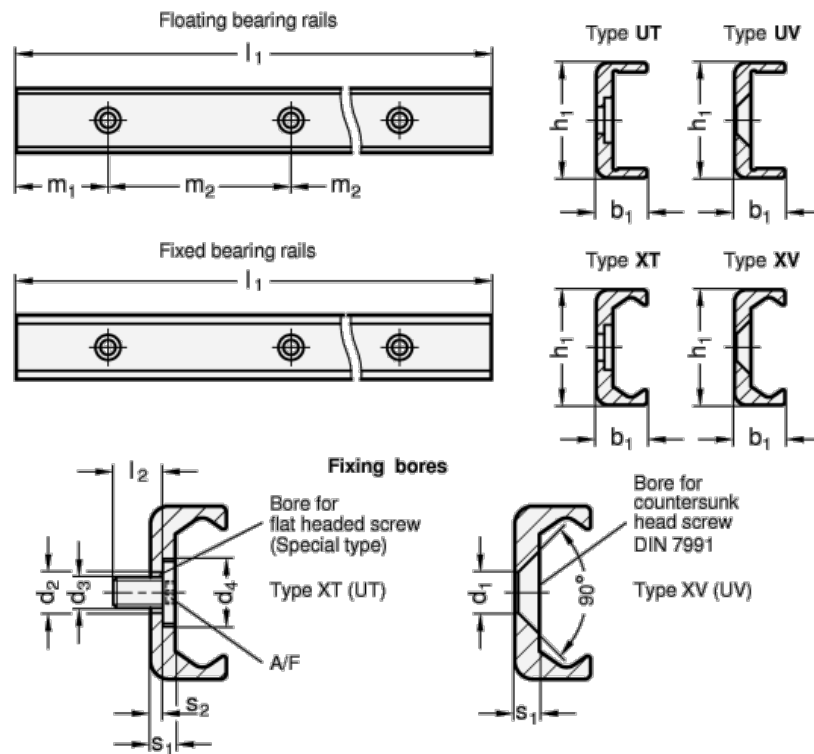


Article number: 2024224356040XT

Description: E+G Compact Profile GN 2422-43-560-40

Measures



A/F = T40	L2	= 16
b1 = 21	m1	= 40
d1 =	m2	= 80
d2 = 10.5	s1	= 4.5
d3 = M8	s2	= 3
d4 = 18	Weight in (g)	= 1406
h1 = 43		
L1 = 560		